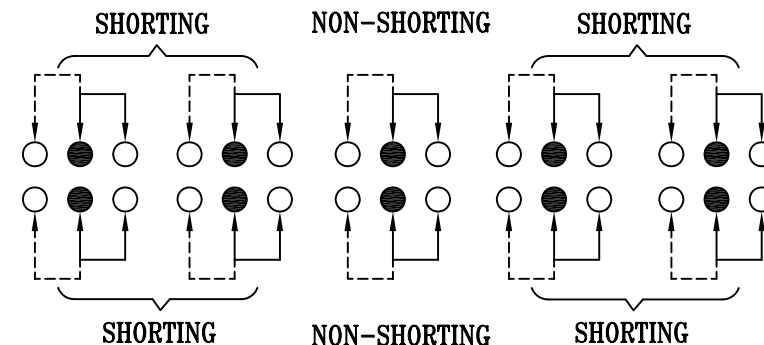
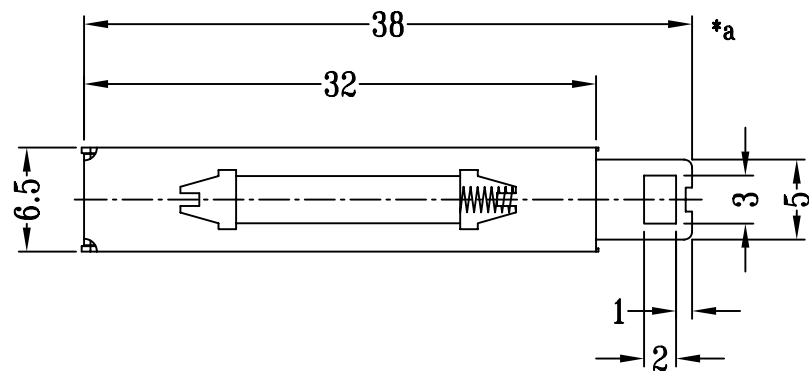
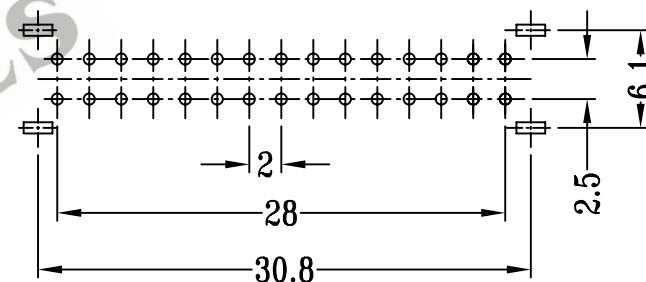
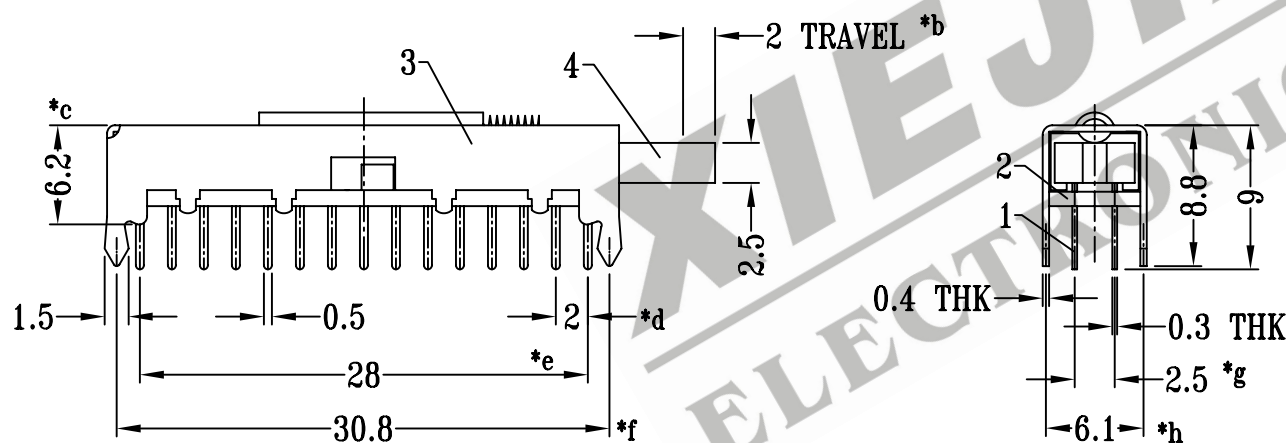


CAD FILE:



SCHEMATIC



P.C.B LAYOUT

注:带"*"表示关键尺寸(7个)

8					TOLERANCE	SHENZHEN XIEJIA ELECTRONICS CO.,LTD.				
7					UNLESS SPECIFIED					
6	SPRING	STEEL WIRE	1	TEMPER	WITHIN: 1.5±0.1mm	ISSUE	DATE	DESCRIPTIONS		APPD.
5	CONTACT CLIP	PBS	10	Ag CLAD	OVER : 1.5±0.2mm					
4	KNOB	ABS	1	WHITE	TITLE : PUSH SWITCH	UNIT : MM		DRWG NO.: XJ-DR-PS102D05-00		
3	FRAME	STEEL STRIP	1	Ni PLATED	MODEL: PS-102D05	SCALE: 2:1		DWN.	ZHOUYU	2004-5-8
2	BASE	PHENOLIC RESIN	1	NATURAL				CHK'D	FANGYING	2004-5-8
1	TERMINAL	BRASS STRIP	30	Ag PLATED OVER Ni PLATED	ALL MATERIALS MUST BE COMPLIANT TO ROHS		APPD.	KANGXINAN	2004-5-8	
NO.	PART NAME	MATERIAL	Q'TY	FINISHING						